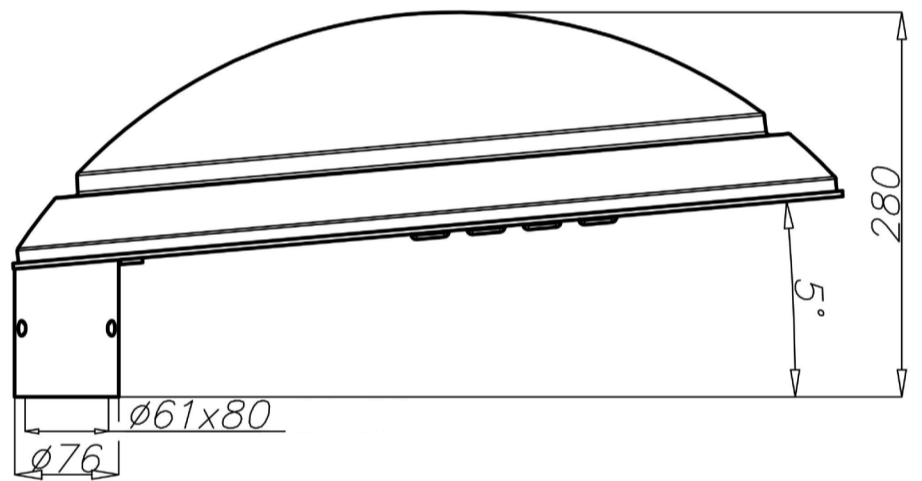
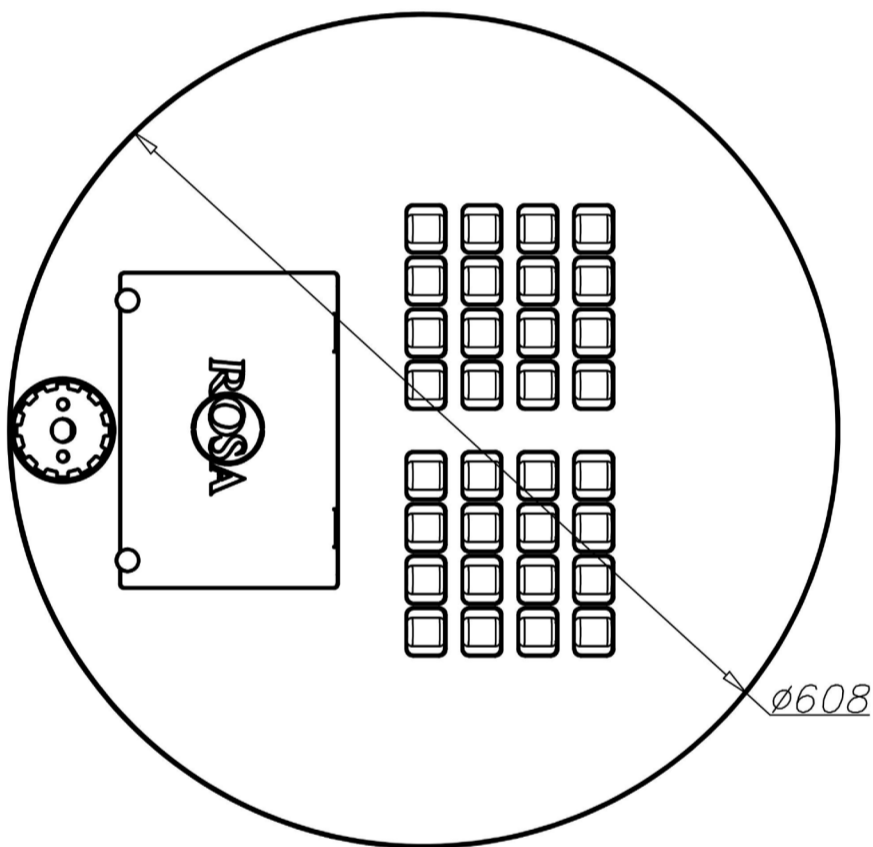




COSMO LED ALFA



Characteristic

Ingress protection of optical system and driver	IP 66
Electrical class	II
Nominal input voltage	120 - 277 V AC
Frequency	50/60 Hz
Operating temperatures	-40°C to +55°C
Material	anodized aluminium alloy
Colour	inox / black
Setup	pole top mounted $\phi 60 \times 80$; recommended mount height 8 to 10 m
Optical system	ROSA PMMA lens
LEDs type	CREE XM-L2
LEDs lifetime L90	>50 000h
Warranty	5 years





COSMO LED ALFA



Technical parameters

Type	COSMO LED ALFA 72		COSMO LED ALFA 96	
Code	221235/6	221235/3	221237/6	221237/3
Correlated colour temperature [K]	5 000	3 500	5 000	3 500
Color rendering index CRI	75 ²⁾	>80	75 ²⁾	>80
LEDs quantity	24		32	
Supply current [mA]	1 000			
LEDs power [W]	72		96	
LEDs luminous flux ¹⁾ [lm]	10 500	8 500	13 950	11 350
Power consumption [W]	80		105	
Luminaire luminous flux ¹⁾ [lm]	9 800	7 950	13 050	10 600
Luminaire efficacy [lm/W]	123	99	124	101
Weight [kg]	11,5		11,5	
Volume [m ³]	0,073		0,073	
Windage [m ²]	0,085		0,085	

- 1) including LEDs tolerance parameter accuracy +/- 3%
 2) parameter accuracy +/-2

- Low voltage directive LVD 2006/95/WE, norm PN-EN 60598-1, PN-EN 60598-2-3
- Directive EMC 2004/108/WE, norms: PN-EN 55015, PN-EN 61547, PN-EN 61000-3-2, PN-EN 61000-3-3
- Shown parameters based on measurements according to IESNA LM 79-08

Distribution of COSMO LED ALFA

