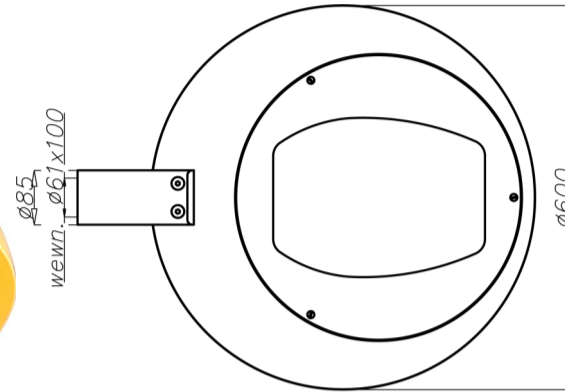




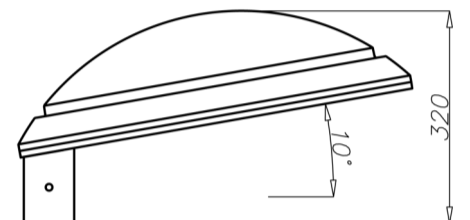
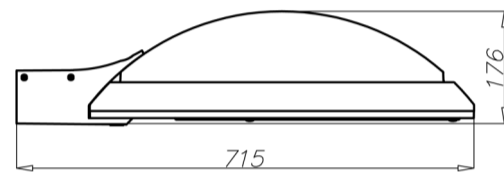
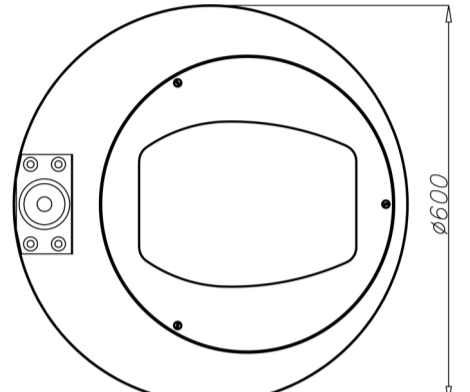
COSMO



COSMO luminaire



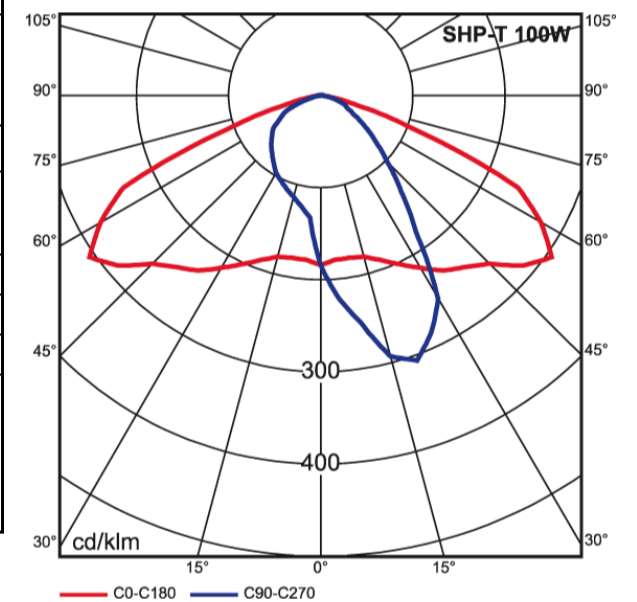
COSMO ALFA luminaire



Characteristic

Voltage	230 V, AC
Frequency	50 Hz
Insulation class	I
Protection degree IP	IP 66 for optic, IP44 for wiring chamber
Material	body - die cast aluminium cover - shaped aluminium pole entry: COSMO - die cast aluminium alloy, COSMO ALFA - aluminium alloy
Colour	poliester powder paint in available RAL colours
Mounting	COSMO - on extension arms spigot ending \varnothing 60mm, 110 mm deep, COSMO ALFA - pole top mounting on spigot ending \varnothing 60 mm, 100 mm deep
Lamp diffuser	flat tempered glass
Reflector	pressed from polished aluminium sheet
Lamp holder	E-27, E-40, ceramic
Control gear	mounted on galvanized steel gear tray, magnetic ballast with thermal protection for luminaires 70W - 250W, metal halide lamps 100W and 150W (EL) optionally available with electronic ballast

Distribution curve for luminaire COSMO S-100W



Technical data

Luminaire type	Luminaire painted (code)	Power [W]	Light source type / holder	Net weight [kg]	Unit volume [m ³]	Windage [m ²]	
COSMO	COSMO S-70	221002	70	sodium E-27	9,1	0,07	0,085
	COSMO S-100	221003	100	sodium-E-40	9,3		
	COSMO S-150	221004	150		9,8		
	COSMO S-250	221005	250		11,0		
	COSMO MH-70	221007	70	Metal halide E-27	9,1		
	COSMO MH-100	221008	100		9,2		
	COSMO MH-150	221009	150		9,7		
	COSMO MH-250	221010	250	Metal halide E-40	11,0		
COSMO ALFA	COSMO ALFA S-70	221202	70	sodium E-27	8,9		
	COSMO ALFA S-100	221203	100	sodium-E-40	9,1		
	COSMO ALFA S-150	221204	150		9,6		
	COSMO ALFA S-250	221205	250		10,8		
	COSMO ALFA MH-70	221207	70	Metal halide E-27	8,9		
	COSMO ALFA MH-100	221208	100		9,2		
	COSMO ALFA MH-150	221209	150		9,5		
	COSMO ALFA MH-250	221210	250	Metal halide E-40	10,6		

- Low Voltage Directive LVD 2006/95/WE, norm PN-EN 60598-1, PN-EN 60598-2-3
- Directive EMC 2004/108/WE, norms: PN-EN 55015, PN-EN 61547, PN-EN 61000-3-2, PN-EN 61000-3-3