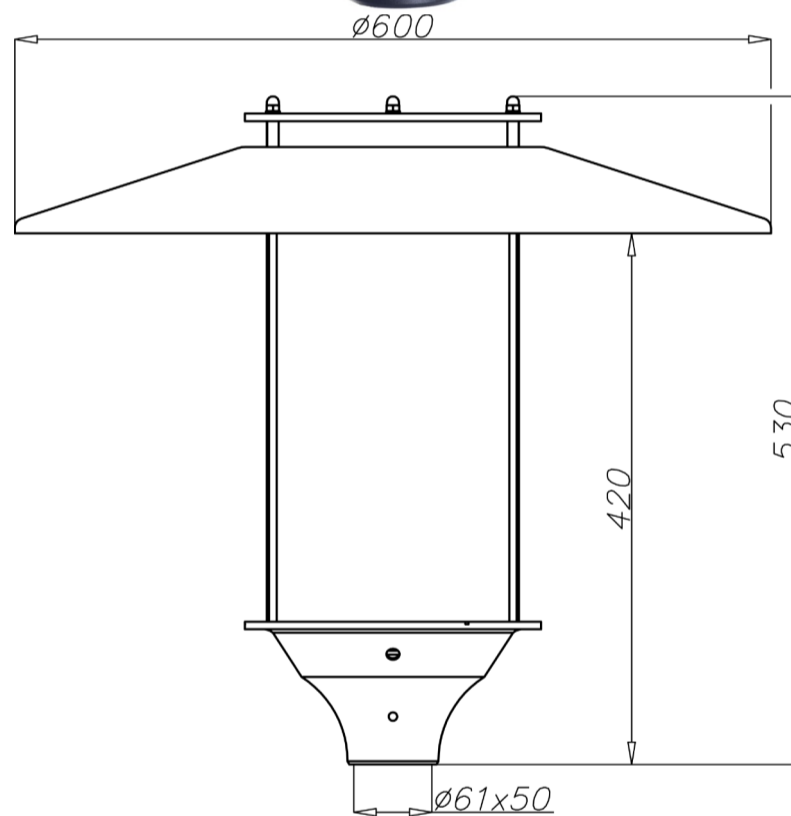




ELBA LED



Characteristic

Ingress protection	IP 65
Protection class	II
Nominal input voltage	120-277 V AC
Frequency	50/60 Hz
Operating temperatures	-40°C to +55°C
Material	luminaire base— cast aluminium, cover— aluminium sheet, lampshade – PMMA $\varnothing 200$ mm
Colour	luminaire base - black paint coated, RAL 9005 cap - black paint coated, RAL 9005 cover - black anodized
Setup	pole top mounted, or on the extension arm $\varnothing 60 \times 50$, recommended mount height 4-6 m
LEDs type	CREE LMH 2
LEDs lifetime L90	>50 000h
Warranty	5 years



Technical parameters

Type	ELBA LED
Code	213050/3
Correlated colour temperature [K]	3 500
Color rendering index CRI	>90
Supply current [mA]	940
LEDs power [W]	38
LEDs luminous flux ¹⁾ [lm]	4000
Power consumption [W]	43
Luminaire efficacy [lm/W]	74
Luminaire luminous flux ¹⁾ [lm]	3 200
Weight [kg]	5
Volume [m ³]	0,06
Windage [m ²]	0,115

1) including LEDs tolerance parameter accuracy +/- 7%

- Low voltage directive LVD 2006/95/WE, norm PN-EN 60598-1, PN-EN 60598-2-3
- Directive EMC 2004/108/WE, norms: PN-EN 55015, PN-EN 61547, PN-EN 61000-3-2, PN-EN 61000-3-3
- Shown parameters based on measurements according to IESNA LM 79-08

Distribution of ELBA LED

