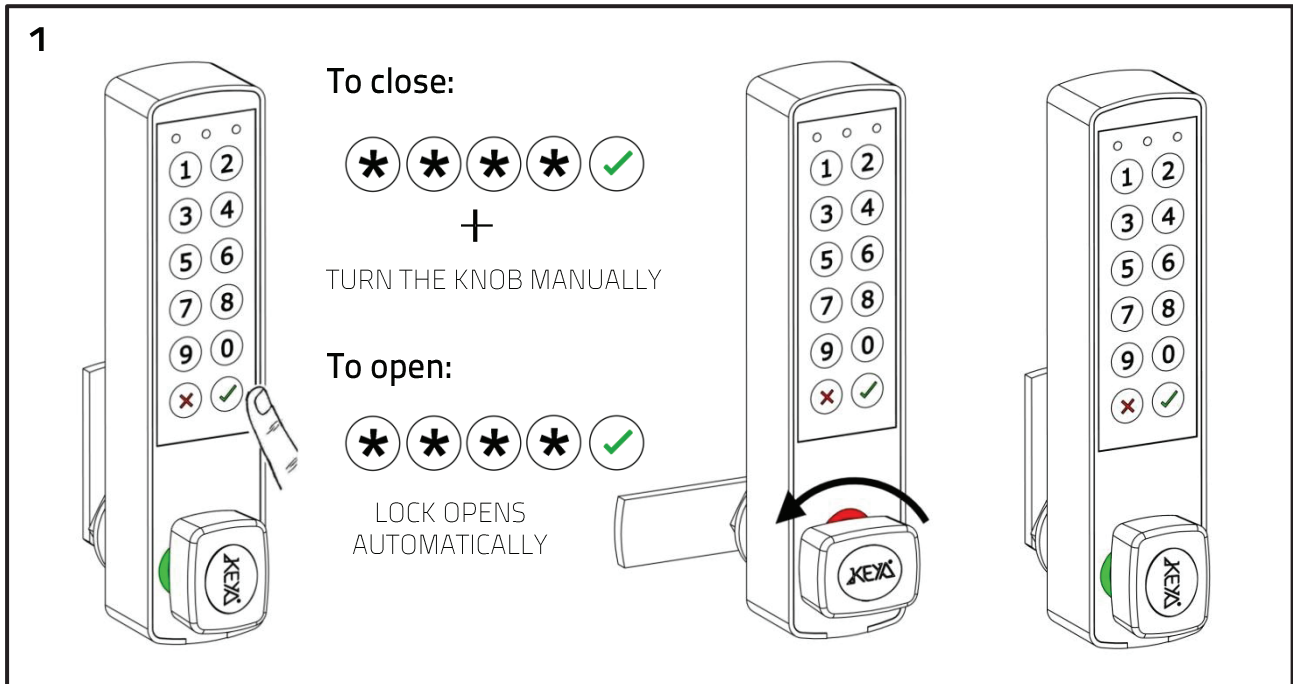


Elock Pro

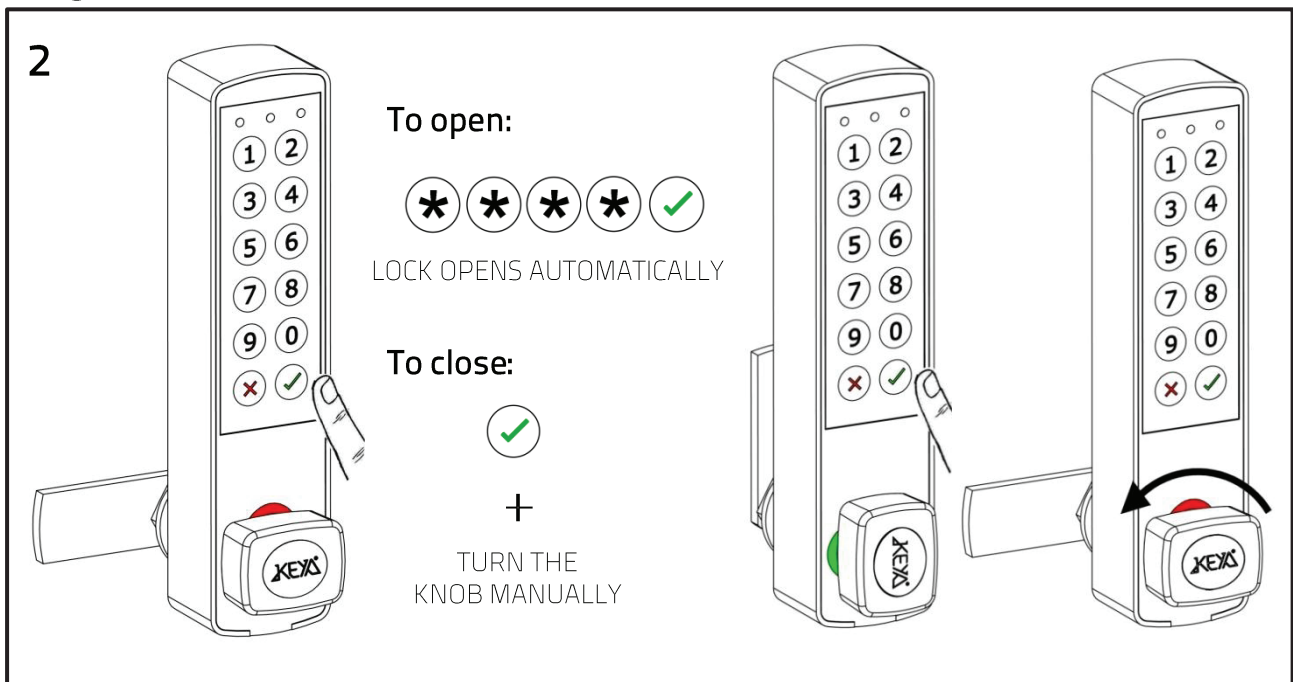


Multuser mode



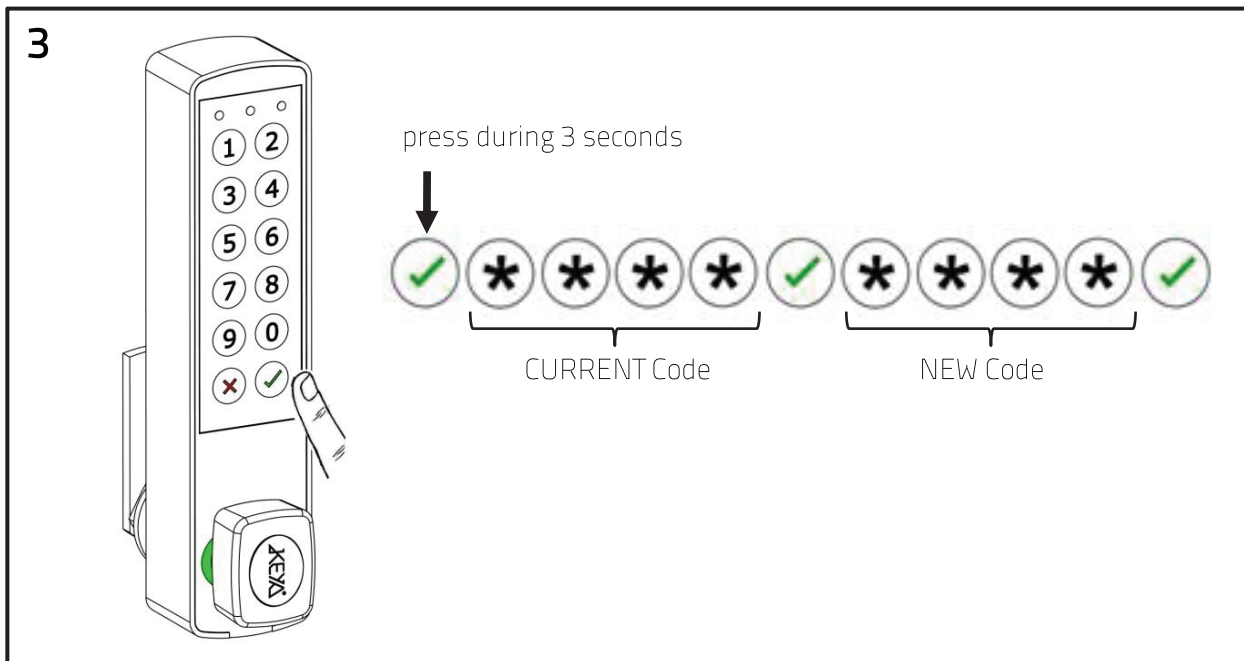
Open and close by 4-digit code. The code is deleted every time the lock is opened, being available for new user.

Single User mode



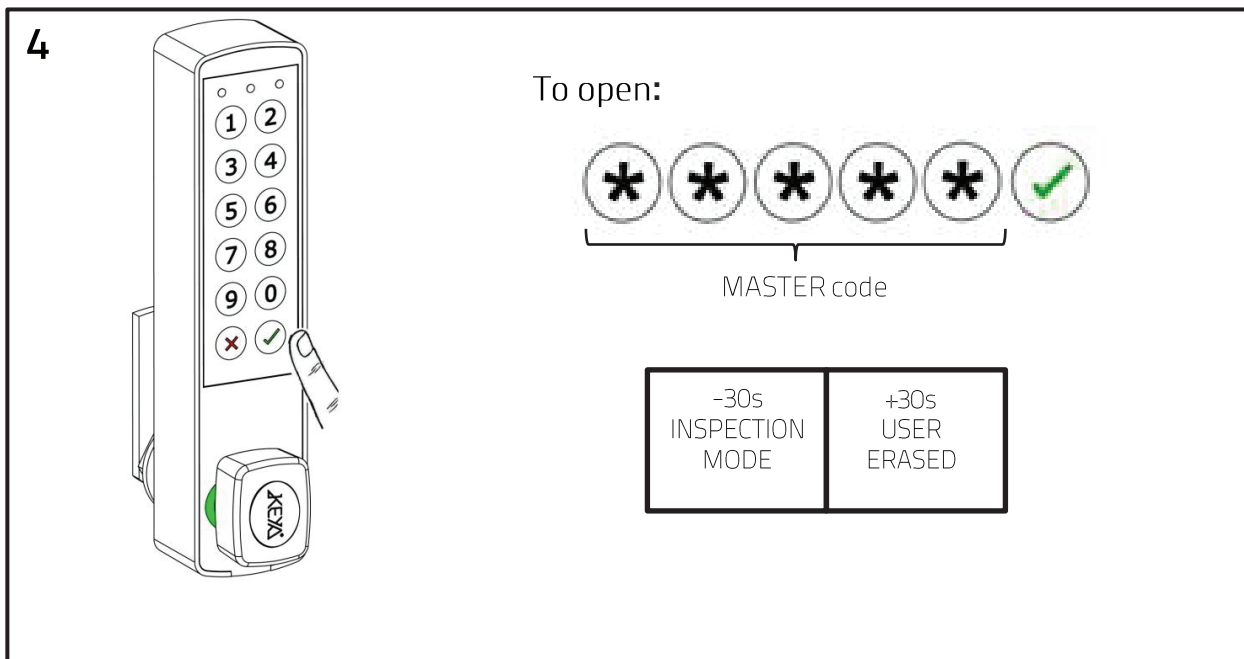
Open and close by 4-digit code. The code is set for 1 user only.

Change the User code



Press Enter key during 3 seconds.
Introduce Current code and press Enter.
Introduce New code and press Enter.

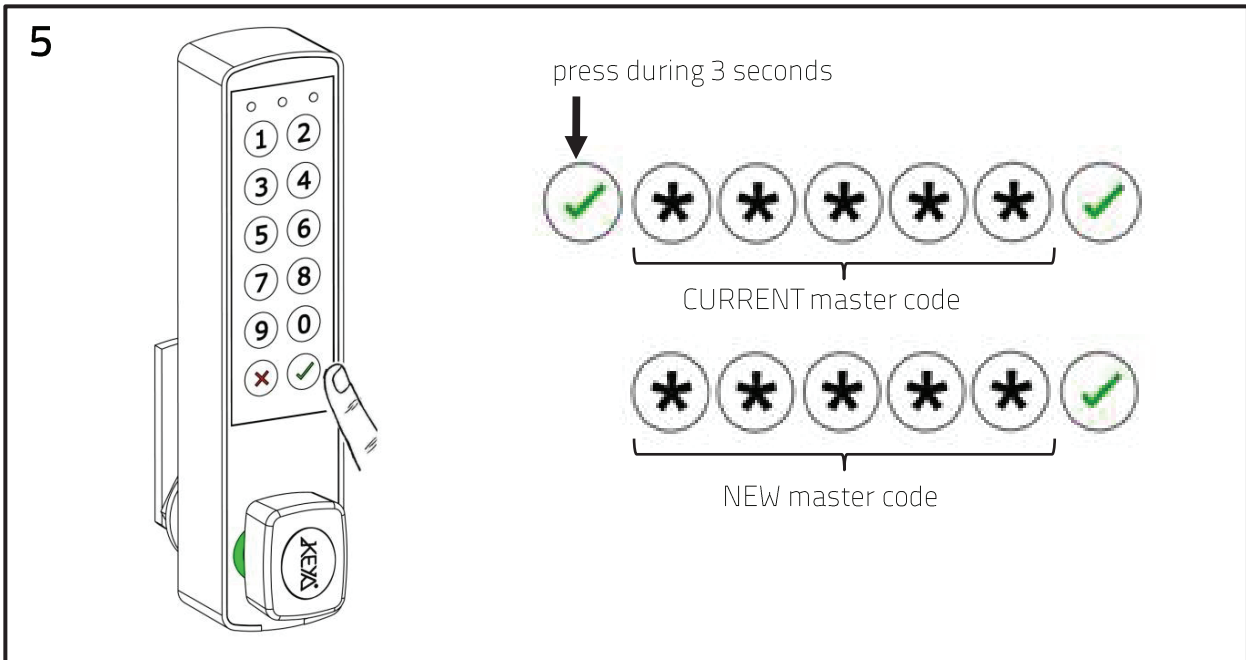
Open using Master code: Inspection mode / Delete User code



INSPECTION MODE
Introduce Master code and press Enter.
Close the lock by pressing Enter before 30s.
The User code is not deleted.

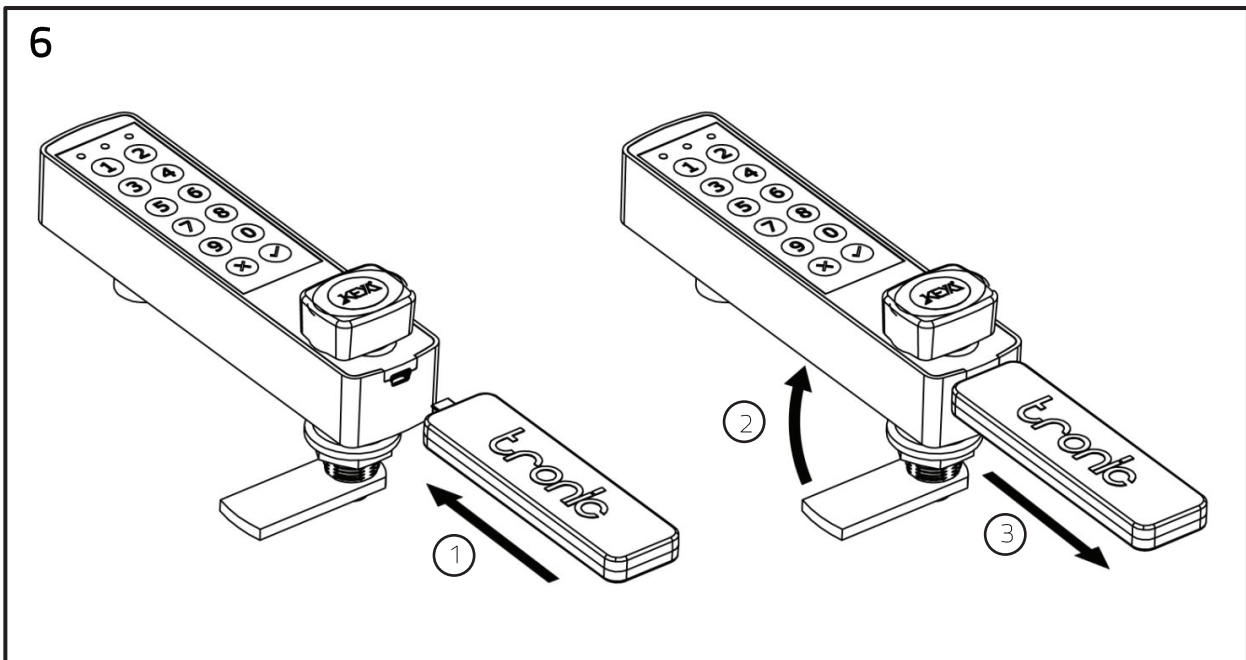
DELETE USER CODE
Introduce Master code and press Enter.
After 30s. the lock remains opened.
The user code has been deleted and a new User
code will be required to close the lock again.

Change the Master code



Press Enter during 3 seconds.
Introduce Current code and press Enter.
Introduce New code and press Enter.

Open using electronic Master key: Inspection mode/ Delete User code



INSPECTION MODE
Connect the Master key (BLUE).
Lock opens.
Remove electronic key.
Press Enter before 30 seconds and turn the knob (for close)
User code is not deleted.

DELETE USER CODE
Connect the Master key (BLUE).
Lock opens.
Remove electronic key.
After 30 seconds the User code will be deleted.
A new user code will be required to close the lock again.

Programmable settings (management software and cable required)

AUTOMATIC OPENING TIME:

The lock will open automatically at the programmed time:

- hh : mm
- Mon, Tue, Wed, Thu, Fri, Sat, Sun
- Working days
- Two options: Leave door open.
Close door again.

ACOUSTIC SIGNAL VOLUME:

- High / Low / Off

LED INDICATION OF CLOSED POSITION:

- On / Off blinking red LED when locker is closed.

CODES:

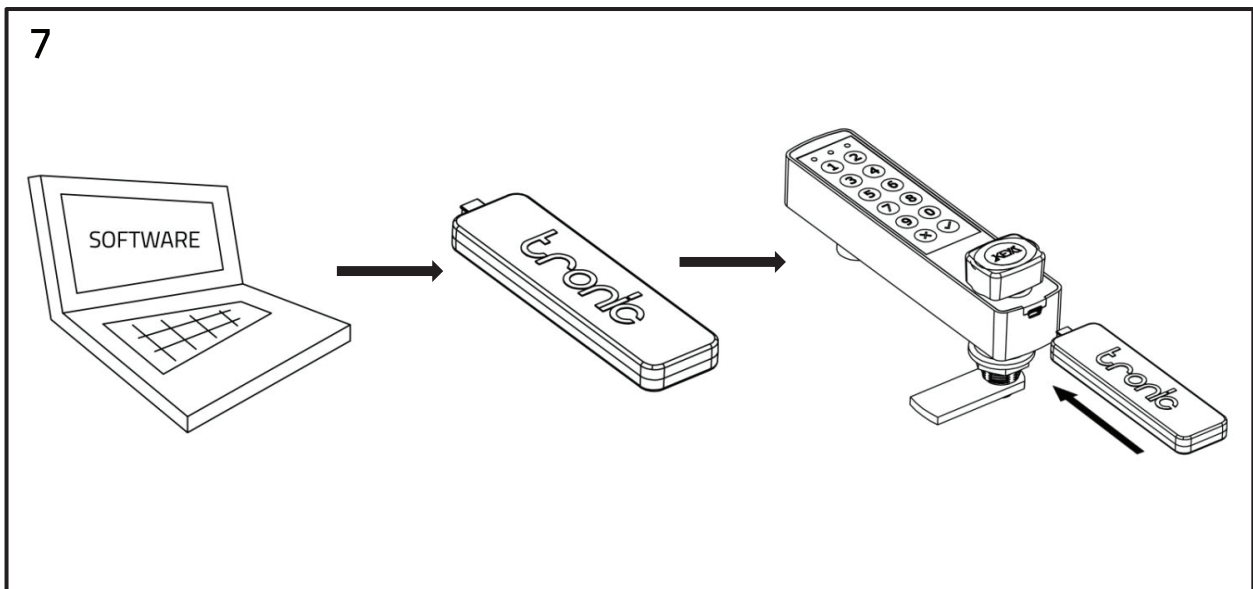
- User / Master

LAST EVENTS

BATTERY LEVEL

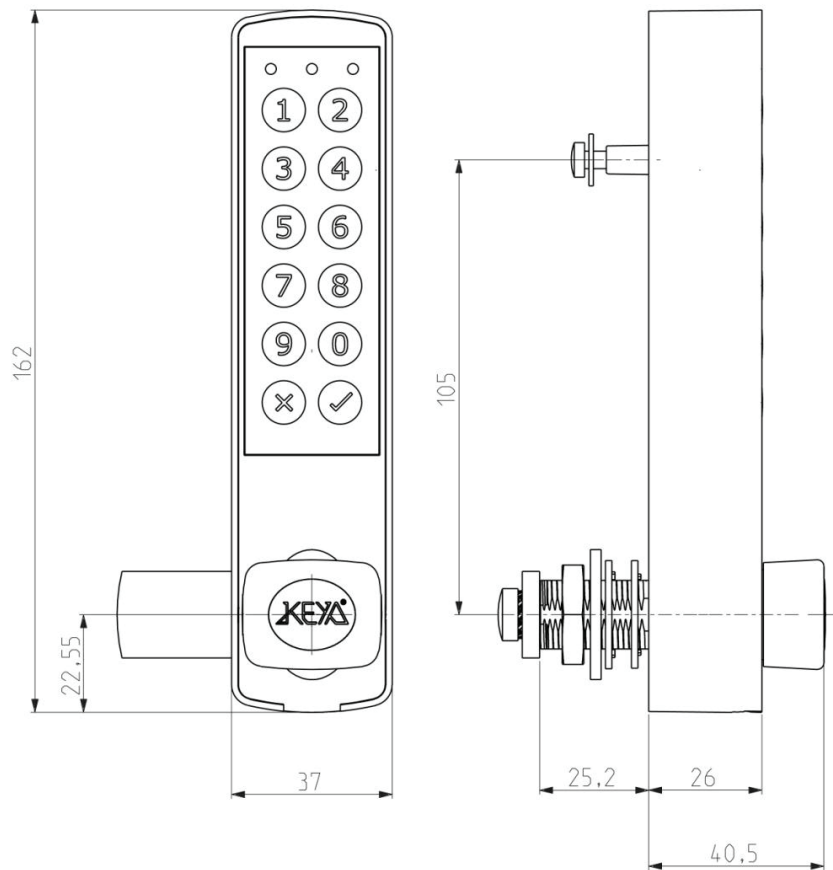
N° OF OPERATIONS

Setting key



Load settings from the computer to the settings key (BLACK).
Connect settings key to the lock.
The settings will be automatically transferred to the lock.

Measurements



Technical specifications

Salt spray test	> 96h
Working temperature	-5 ° C <> +70 ° C
IP	IP 65
Latch force	> 45Kgf
UV Rays	> 10000h
Vibration	10 - 200 Hz 2g
Life test	> 200000 cycles
Electrostatic discharge	8000 V
Battery life	> 35000 cycles



RoHS



Management System
ISO 9001:2008

www.tuv.com
ID 9105066651



Aba-Szer Féműtor Kft.

Köszönjük hogy termékünket választotta!