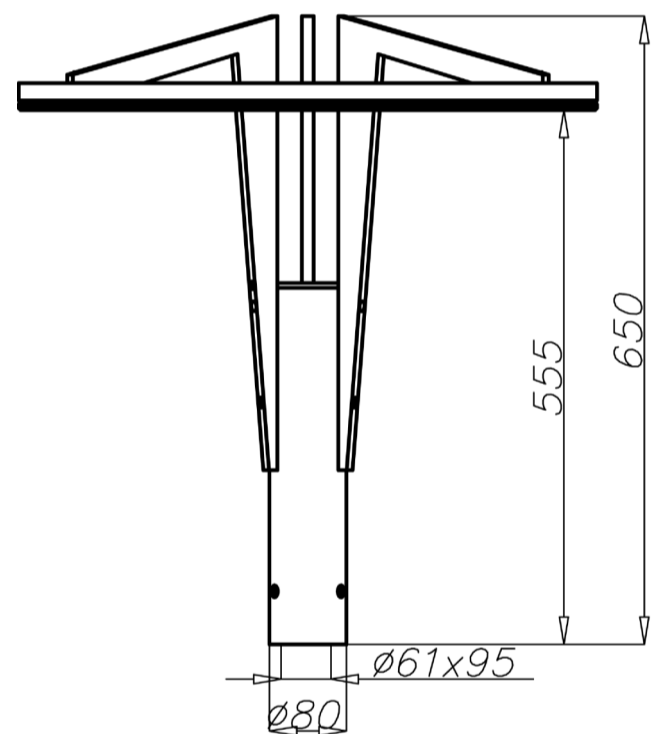
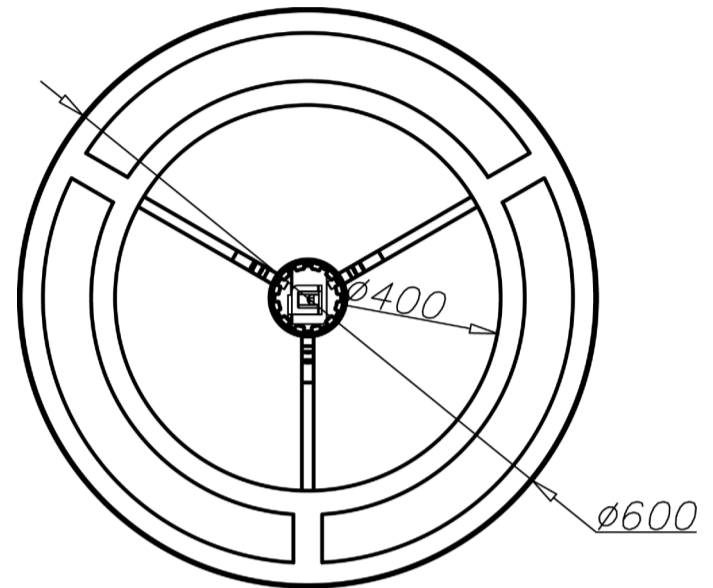




# CORONA LED

CE



## Characteristic

Ingress protection of optical system and driver	IP 66
Protection class	II
Nominal input voltage	120 - 277 V AC
Frequency	50/60 Hz
Operating temperatures	-40°C to +55°C
Material	anodized aluminium alloy
Colour	inox / graphite
Setup	pole top mounted $\varnothing 60 \times 95$ ; recommended mount height 5 to 7 m
LEDs type	CREE XT-E
LEDs lifetime L90	>50 000h
Warranty	5 years

**CREE**   
LEDs



# CORONA LED



## Technical parameters

Type	CORONA LED 72
Code	214735/6
Correlated colour temperature [K]	5 000
Color rendering index CRI	75 <sup>2)</sup>
LEDs quantity	36
Supply current [mA]	650
LEDs power [W]	72
LEDs luminous flux <sup>1)</sup> [lm]	9 000
Power consumption [W]	80
Luminaire luminous flux <sup>1)</sup> [lm]	5 900
Luminaire efficacy [lm/W]	74
Weight [kg]	13
Volume [m <sup>3</sup> ]	0,25
Windage [m <sup>2</sup> ]	0,095

- 1) including LEDs tolerance parameter accuracy +/- 3%  
2) parameter accuracy +/-2

- Low voltage directive LVD 2006/95/WE, norm PN-EN 60598-1, PN-EN 60598-2-3
- Directive EMC 2004/108/WE, norms: PN-EN 55015, PN-EN 61547, PN-EN 61000-3-2, PN-EN 61000-3-3
- Shown parameters based on measurements according to IESNA LM 79-08

Distribution of CORONA LED

