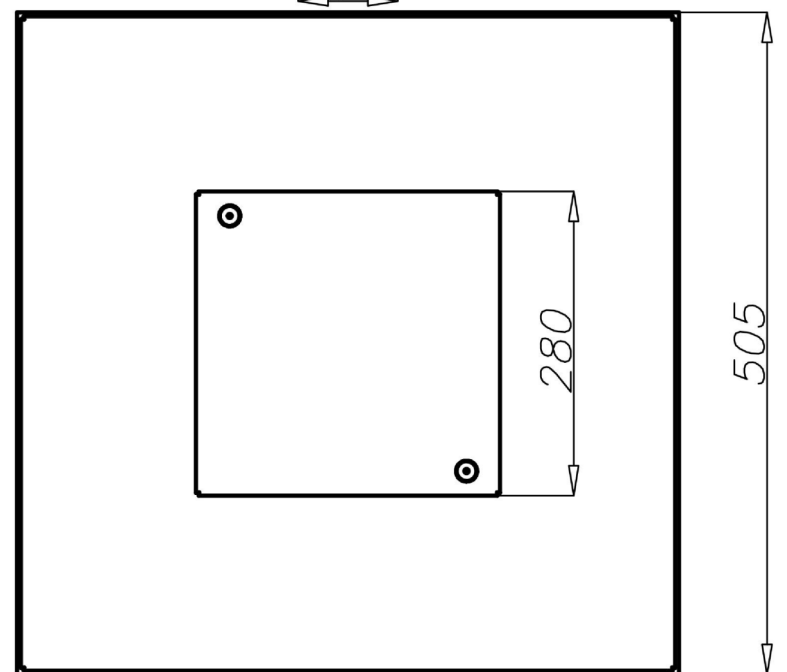
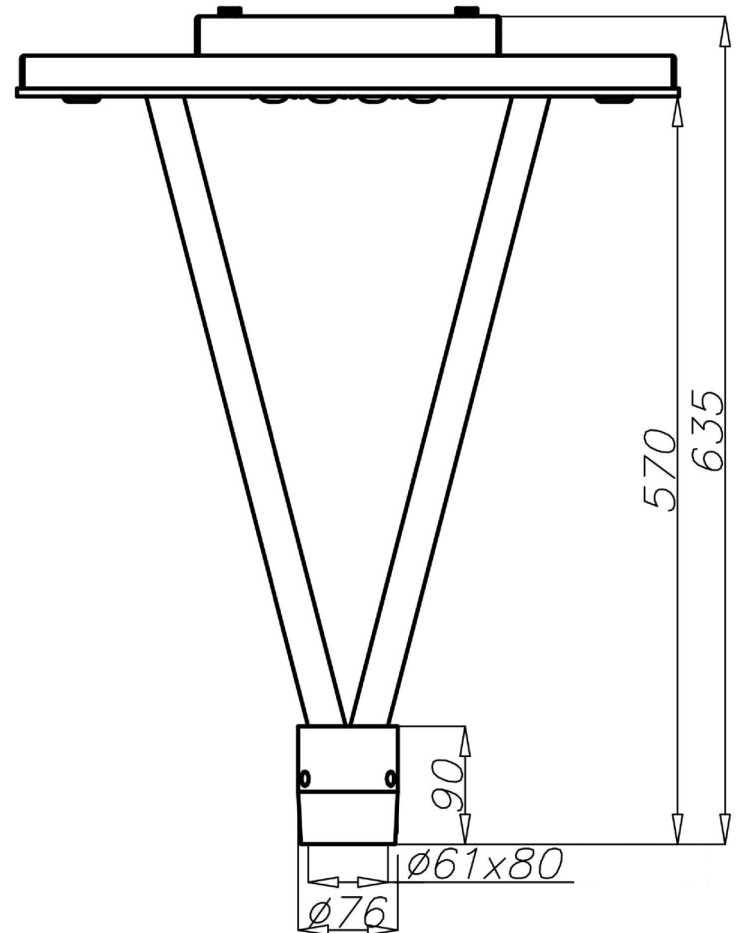




# MIZAR LED



## Characteristic

Ingress protection of optical system and driver	IP 66
Electrical class	II
Nominal input voltage	120 - 277 V AC
Frequency	50/60 Hz
Operating temperatures	-40°C to +55°C
Material	anodized aluminium alloy
Colour	inox / graphite
Setup	pole top mounted $\varnothing 60 \times 80$ ; recommended mount height 5 to 6 m,
Optical system	ROSA PMMA lens
LEDs type	CREE XM-L2
LEDs lifetime L90	>50 000h
Warranty	5 years





## Technical parameters

Type	MIZAR LED 48	
Code	214433/6	214433/3
Correlated colour temperature [K]	5 000	3 500
Color rendering index CRI	75 <sup>2)</sup>	>80
LEDs quantity	16	
Supply current [mA]	1 000	
LEDs power [W]	48	
LEDs luminous flux <sup>1)</sup> [lm]	7 000	5 650
Power consumption [W]	55	
Luminaire luminous flux <sup>1)</sup> [lm]	6 550	5 300
Luminaire efficacy [lm/W]	119	96
Weight [kg]	9,2	
Volume [m <sup>3</sup> ]	0,172	
Windage [m <sup>2</sup> ]	0,057	

- 1) including LEDs tolerance parameter accuracy +/- 3%  
2) parameter accuracy +/-2

- Low voltage directive LVD 2006/95/WE, norm PN-EN 60598-1, PN-EN 60598-2-3
- Directive EMC 2004/108/WE, norms: PN-EN 55015, PN-EN 61547, PN-EN 61000-3-2, PN-EN 61000-3-3
- Shown parameters based on measurements according to IESNA LM 79-08

Distribution of MIZAR LED

