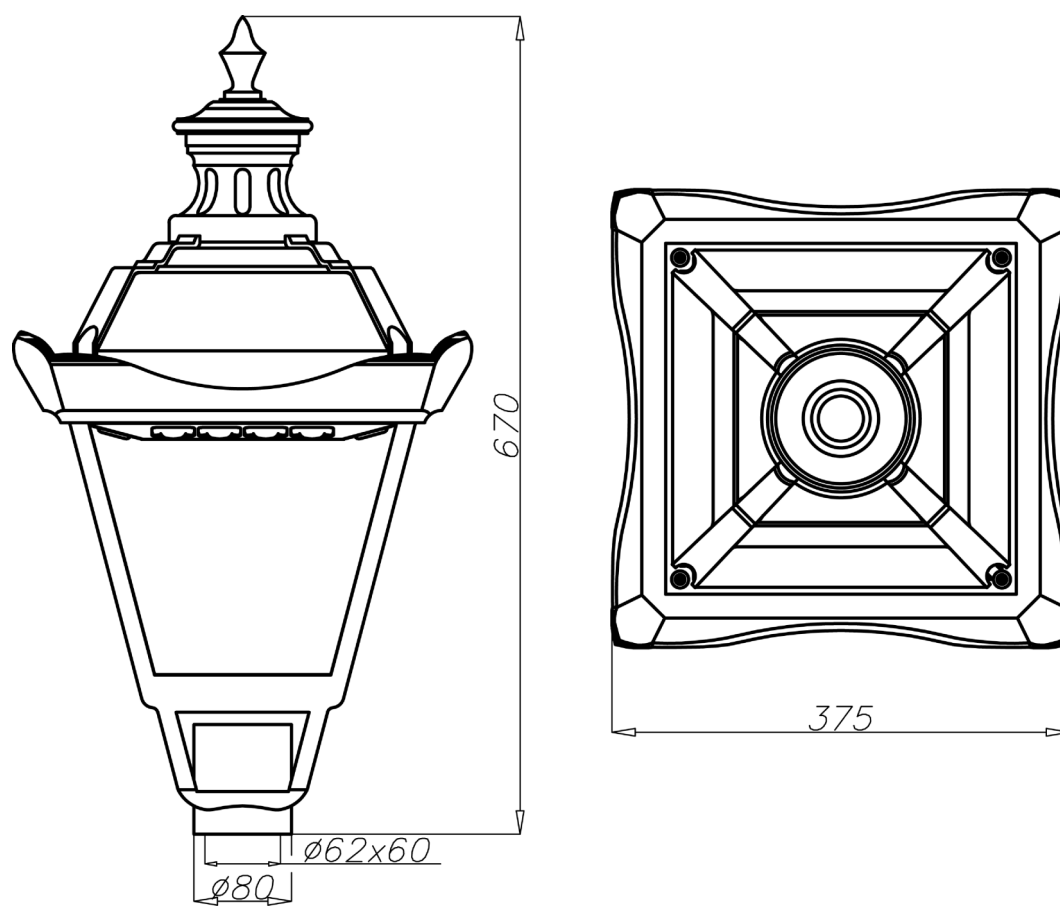




# OS-1 LED



## Characteristic

Ingress protection of optical system and driver	IP66
Protection class	II
Nominal input voltage	120 - 277 V AC
Frequency	50/60 Hz
Operating temperatures	-40°C to +40°C
Material	fiber glass reinforced PP, UV proof
Colour	black / LED panel - inox
Setup	on: S type poles with B spigot, arm systems, wall brackets KR, columns, extension arms, aluminium or
Optical system	ROSA PMMA lens
LEDs type	CREE XT-E
LEDs lifetime L90	>50 000h
Warranty	5 years





# OS-1 LED



## Technical parameters

Type	OS-1 LED 32	
Code	211331/6	211331/3
Correlated colour temperature [K]	5 000	3 500
Color rendering index CRI	75 <sup>2)</sup>	>80
LEDs quantity	16	
LEDs power [W]	32	
LEDs luminous flux <sup>1)</sup> [lm]	3 800	
Power consumption [W]	39	
Luminaire luminous flux <sup>1)</sup> [lm]	2 850	
Luminaire efficacy [lm/W]	73	
Weight [kg]	5,2	
Volume [m <sup>3</sup> ]	0,1	
Windage [m <sup>2</sup> ]	0,1	

- 1) including LEDs tolerance parameter accuracy +/- 3%  
2) parameter accuracy +/-2

- Low voltage directive LVD 2006/95/WE, norm PN-EN 60598-1
- Directive EMC 2004/108/WE, norms: PN-EN 55015, PN-EN 61547, PN-EN 61000-3-2, PN-EN 61000-3-3
- Shown parameters based on measurements according to IESNA LM 79-08

Distribution of OS-1 LED

